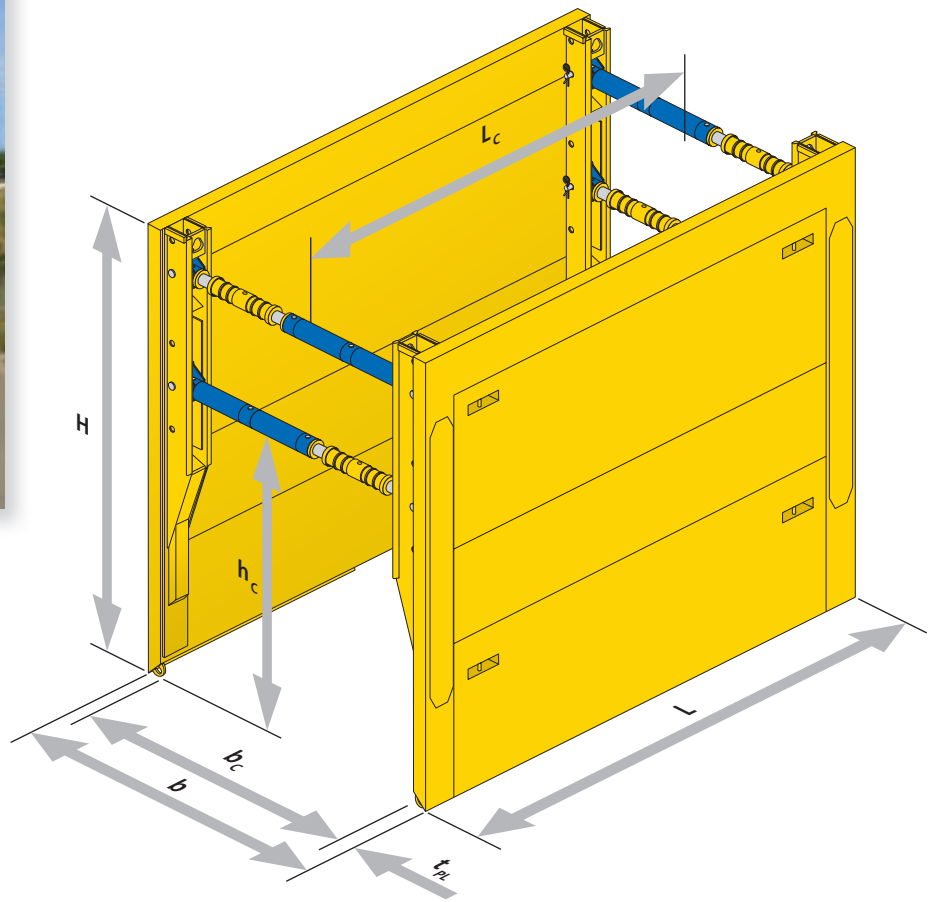


# MAXI BOX

Series 630



## Plates $t_{PL} = 107\text{mm}$

Plate length L [m]	Plate height H [m]	Pipe clearance length $L_c$ [m]	Pipe clearance height $h_c$ [m]	Permissible earth pressure [kN/m <sup>2</sup> ]	Weight per box [kg]
3.15	3.93	2.75	1.69	76.5	3700
			1.99	76.5	
			2.29	63.2	
4.00	3.15	3.60	1.69	45.6	3595
			1.99	45.6	
			2.29	21.8	

## Spindle type 031/135 yellow

Number of extension pipes a 0,50 m	Working width $b_c$ [m]	Trench width $b_c$ [m]	Permissible compressive force [kN]	Weight [kg]
0	0.98 – 1.16	1.20 – 1.38	510	65.0
1	1.48 – 1.66	1.70 – 1.88	445	84.8
2	1.98 – 2.16	2.20 – 2.38	394	104.6
3	2.48 – 2.66	2.70 – 2.88	354	124.4
4	2.98 – 3.16	3.20 – 3.38	321	144.2
5	3.48 – 3.66	3.70 – 3.88	292	164.0
6	3.98 – 4.16	4.20 – 4.38	263	183.8

